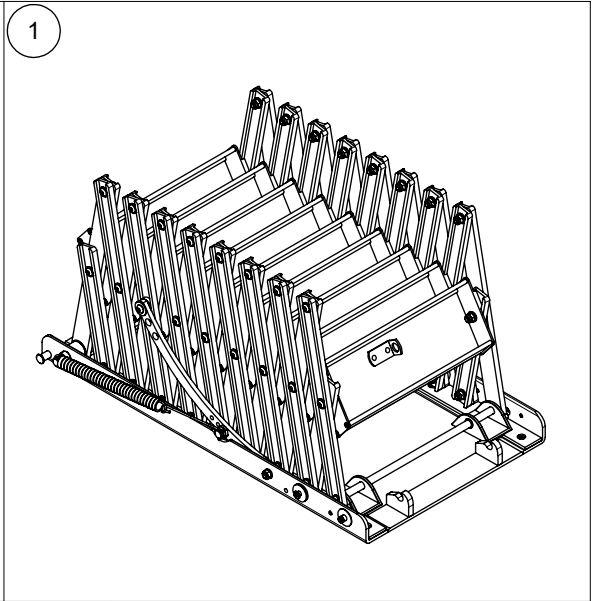
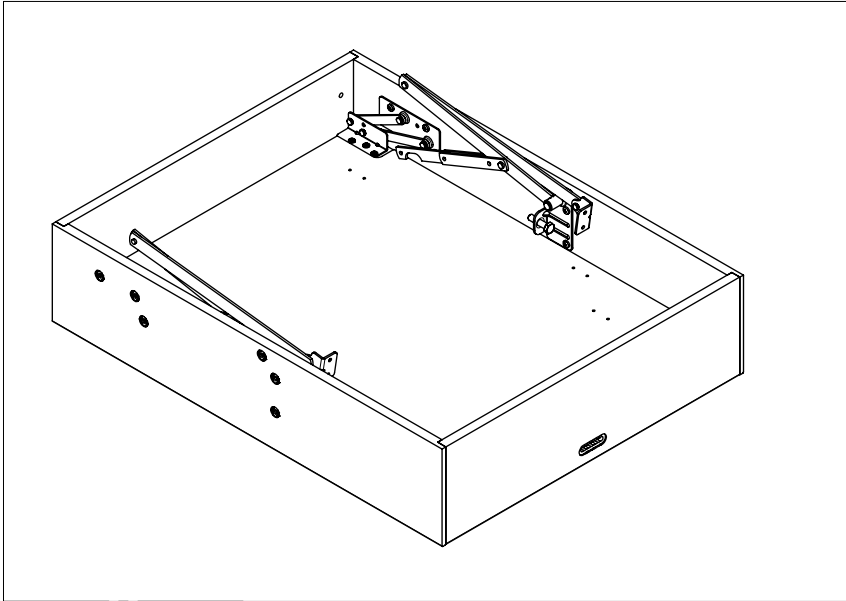
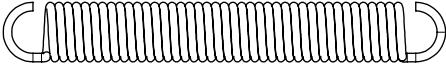

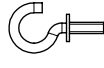


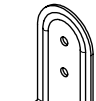
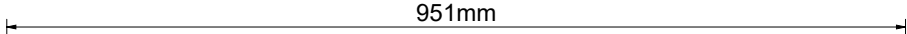
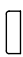

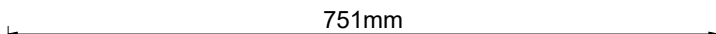







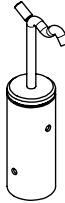


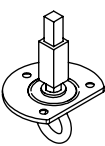




REI 60 VARIO 90 cm

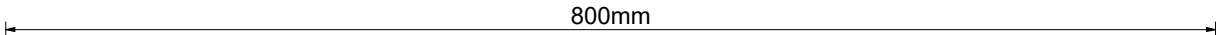
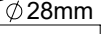





<p>2</p>  <p>x 2</p>	<p>3</p>  <p>x 2 C1-09100</p>	<p>4</p>  <p>x 2 C1-09105</p>	<p>5</p>  <p>x 4 K3-06403 Ø6 x 40 TX30</p> 
---	---	--	---

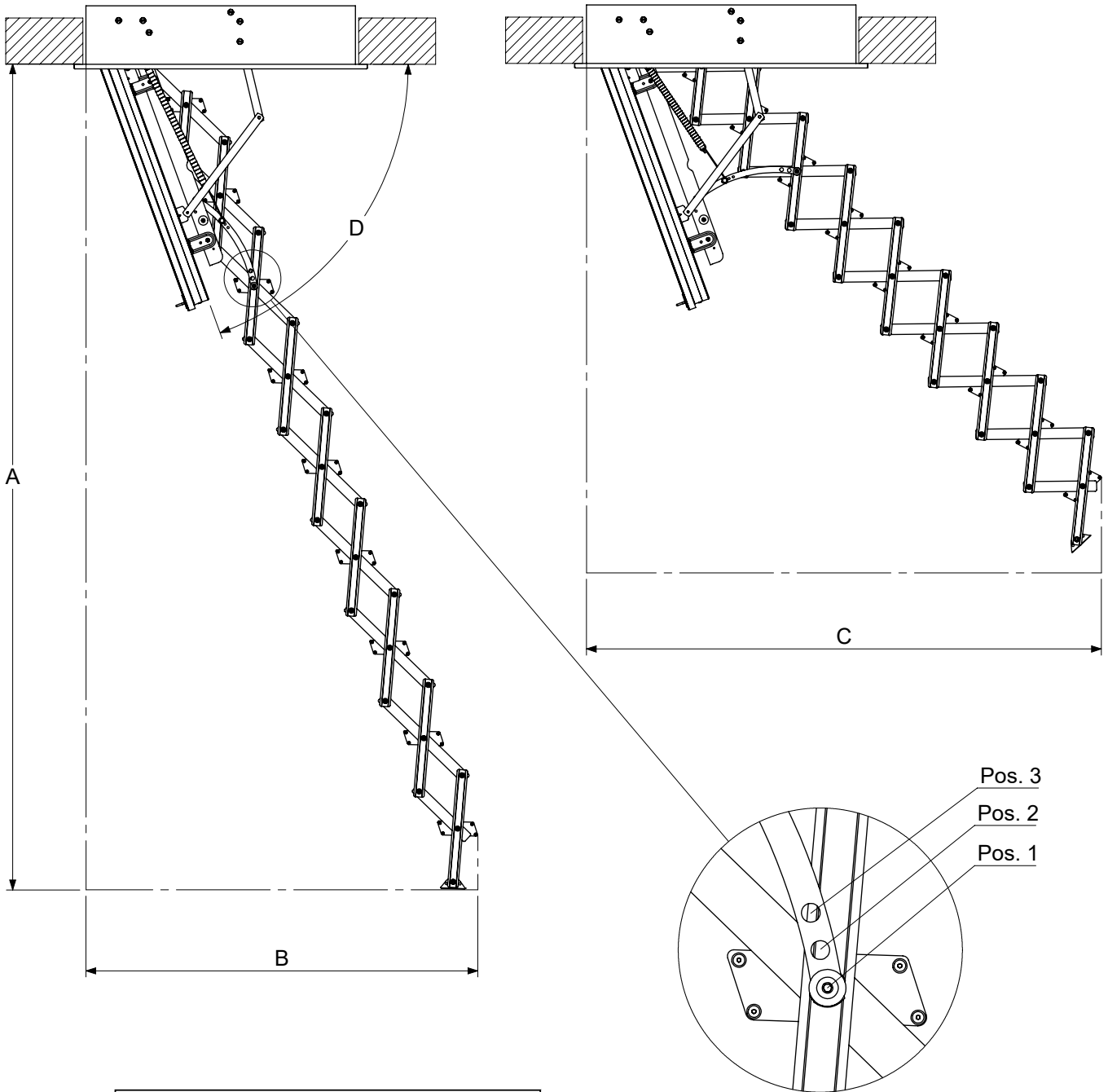
<p>6</p>  <p>x 4 C1-09060</p>	<p>7</p>  <p>951mm</p>  <p>x 2</p>
--	---


<p>8</p>  <p>x 2</p>	<p>8</p>  <p>751mm</p>  <p>x 2</p>	<p>9</p>  <p>x 8 K3-06403 Ø6 x 40 TX30</p> 
---	---	---

<p>10</p>  <p>x 4 K3-02134 M6 x 16</p> 	<p>11</p>  <p>x 1 K2-17295</p>	<p>12</p>  <p>x 3 K3-06280 Ø4 x 25</p> 	<p>13</p>  <p>x 1 K2-22325</p>	<p>14</p>  <p>x 4 K3-04016 Ø6</p> 	<p>15</p>  <p>x 4 R2-40145 M6</p> 
---	---	---	--	--	--

<p>16</p>  <p>800mm</p>  <p>Ø28mm</p> <p>x 1 K1-17299</p>	
--	--

<p>17</p>  <p>x 2 K3-06013 Ø4 x 20</p> 



9		D	A	B	C
		°	mm	mm	mm
Pos. 1		67	2619	1400	1740
		70	2678	1272	1673
		73	2730	1140	1601
Pos. 2		67	2533	1374	1638
		70	2590	1250	1572
		73	2640	1124	1501
Pos. 3		67	2440	1349	1534
		70	2496	1230	1469
		73	2545	1109	1399

Example 1
Exemple 1
Beispiel 1
Voorbeeld 1
Eksempel 1

A = 2600 mm

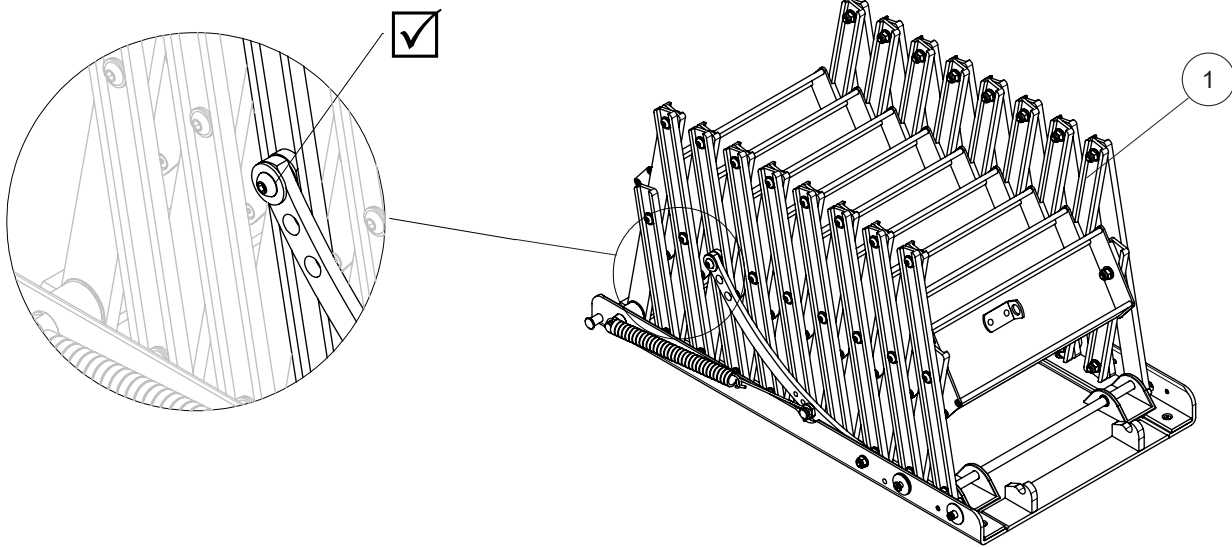
Pos. 1	67	2619	1400	1740
	70	2678	1272	1673
	73	2730	1140	1601
Pos. 2	67	2533	1374	1638
	70	2590	1250	1572
	73	2640	1124	1501
Pos. 3	67	2440	1349	1534
	70	2496	1230	1469
	73	2545	1109	1399

Example 2
Exemple 2
Beispiel 2
Voorbeeld 2
Eksempel 2

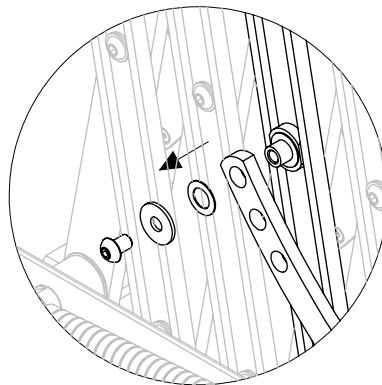
A = 2500 mm

Pos. 1	67	2619	1400	1740
	70	2678	1272	1673
	73	2730	1140	1601
Pos. 2	67	2533	1374	1638
	70	2590	1250	1572
	73	2640	1124	1501
Pos. 3	67	2440	1349	1534
	70	2496	1230	1469
	73	2545	1109	1399

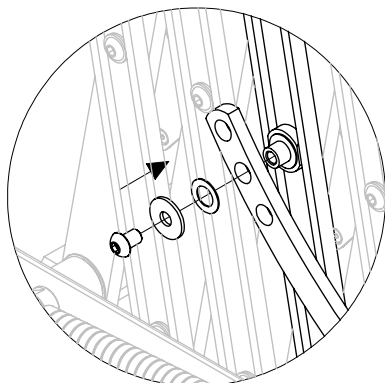
Pos. 1



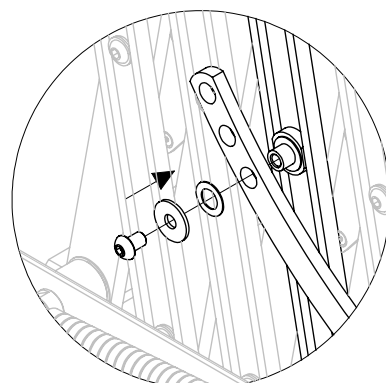
Pos. 2 / 3

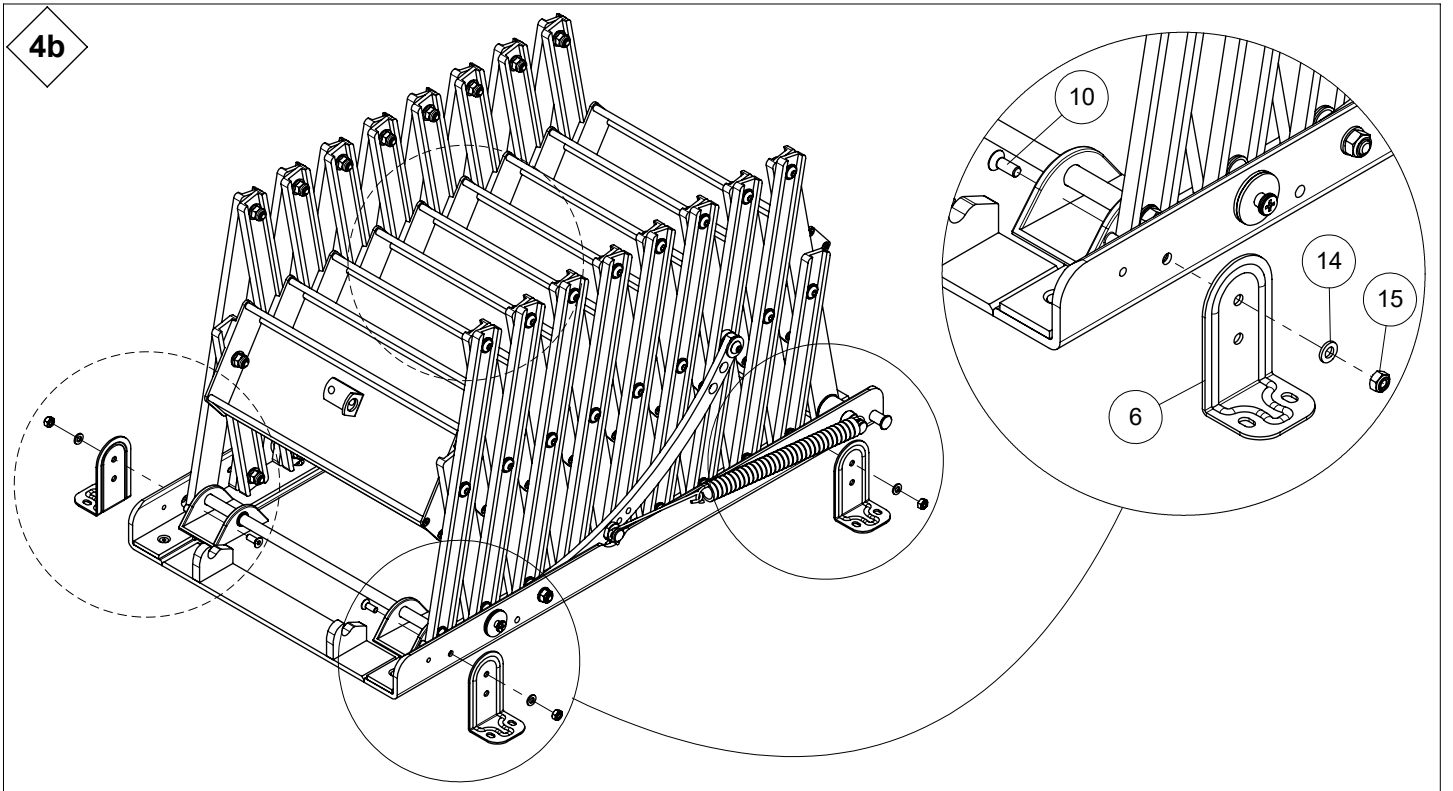
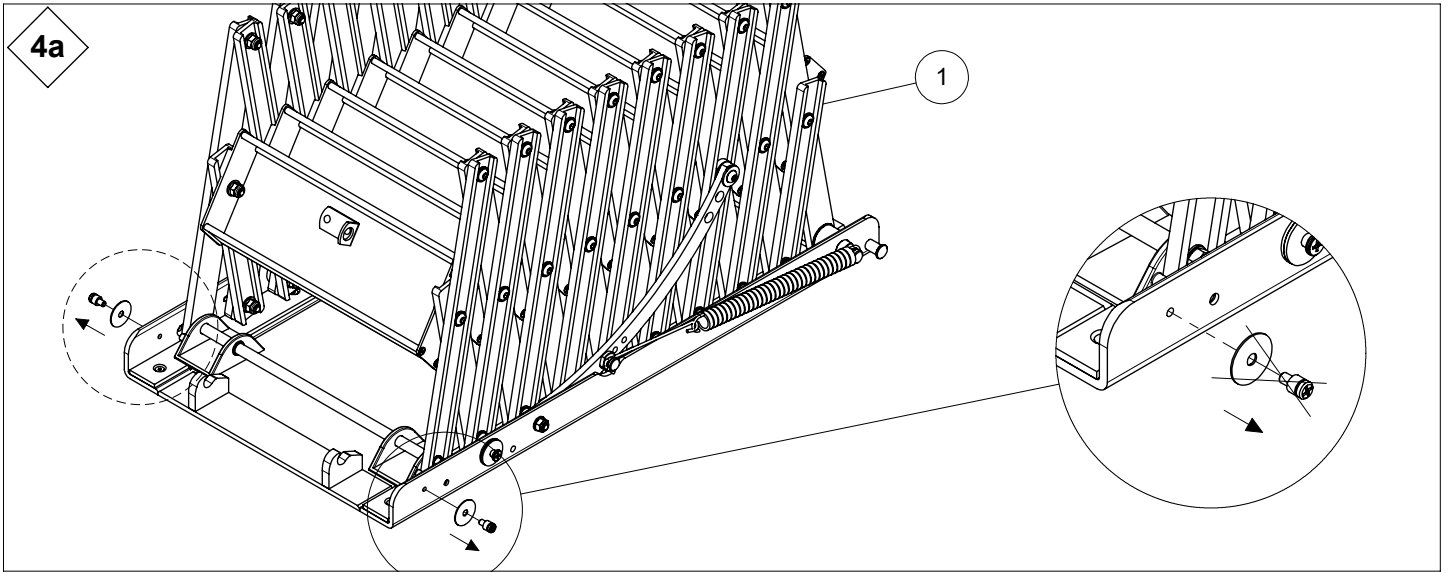
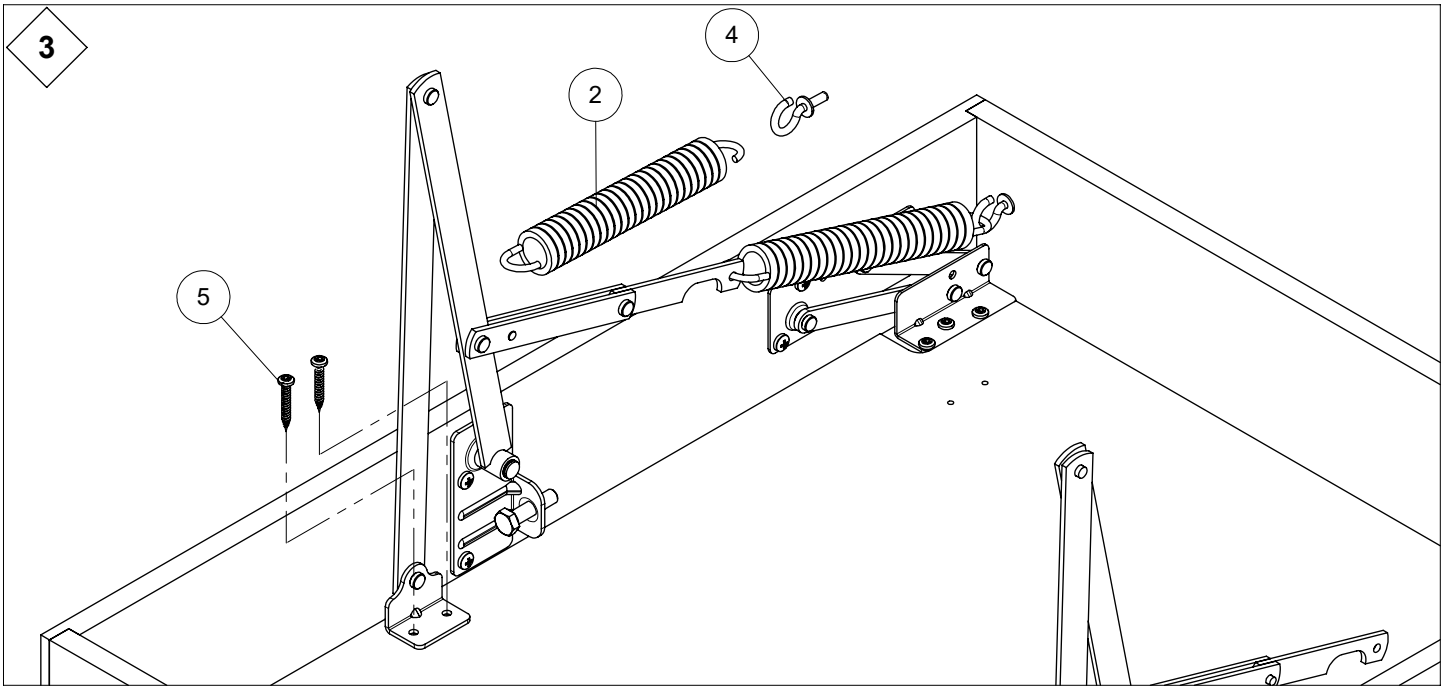


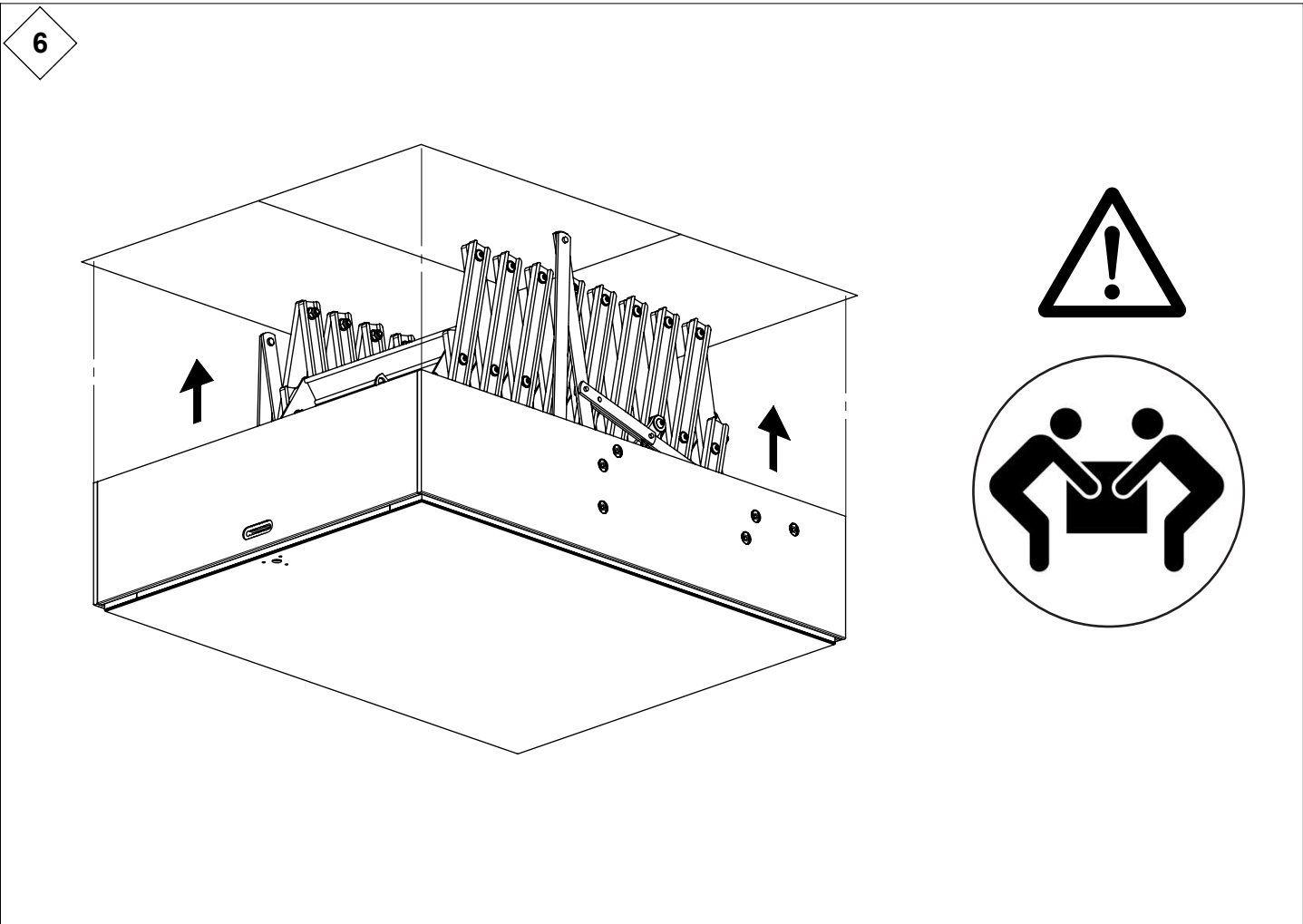
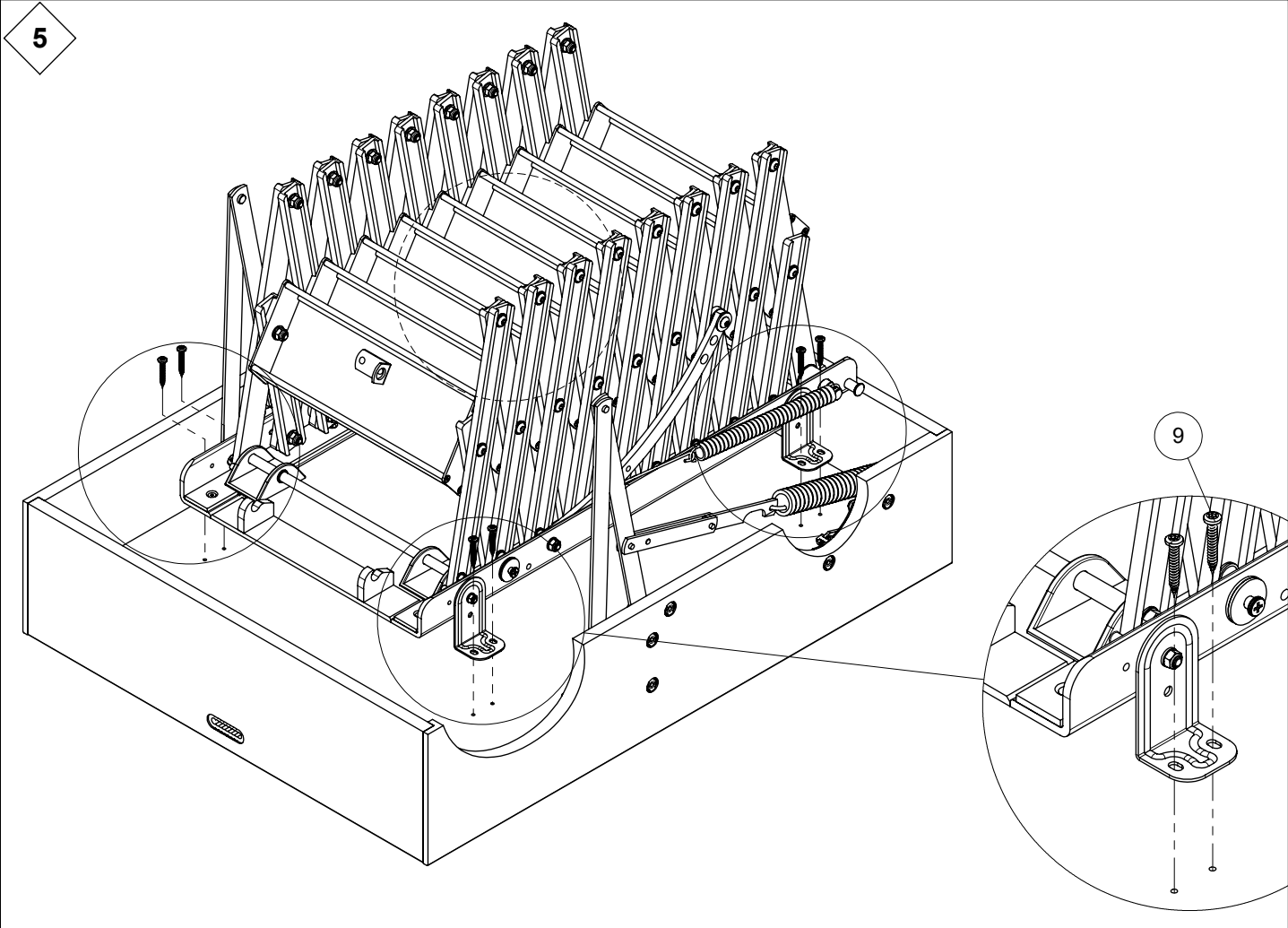
Pos. 2



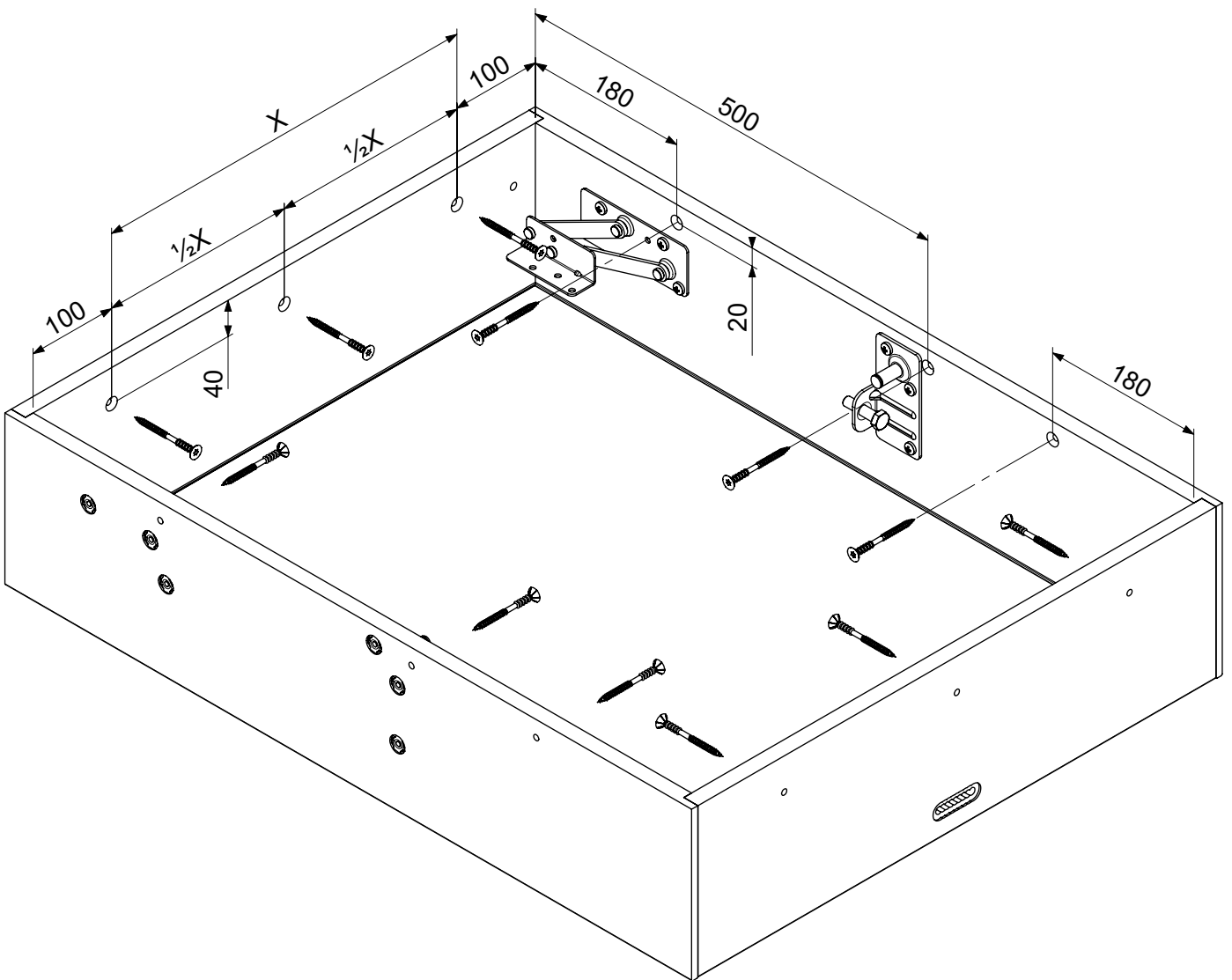
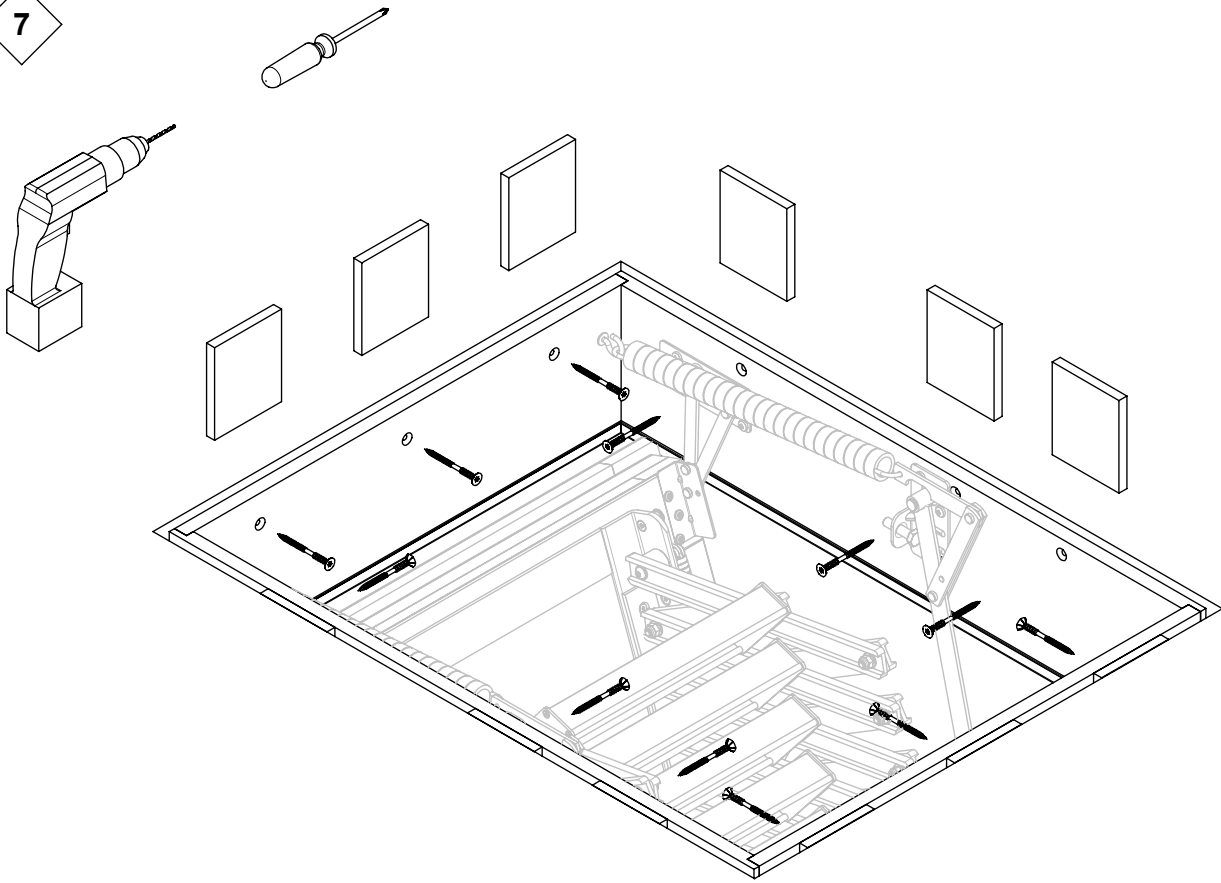
Pos. 3

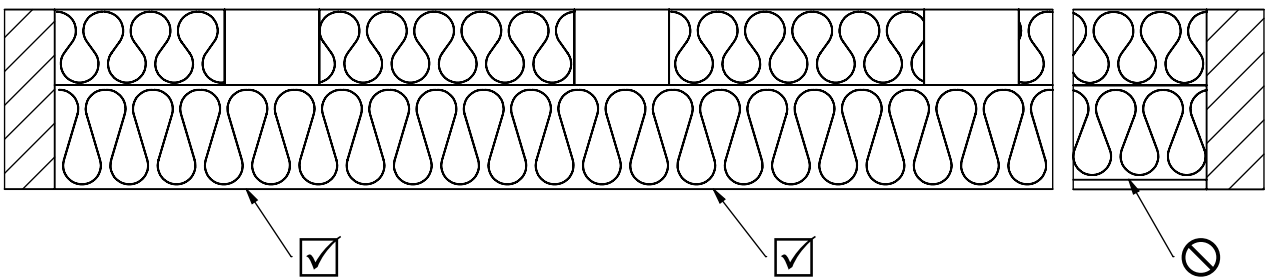
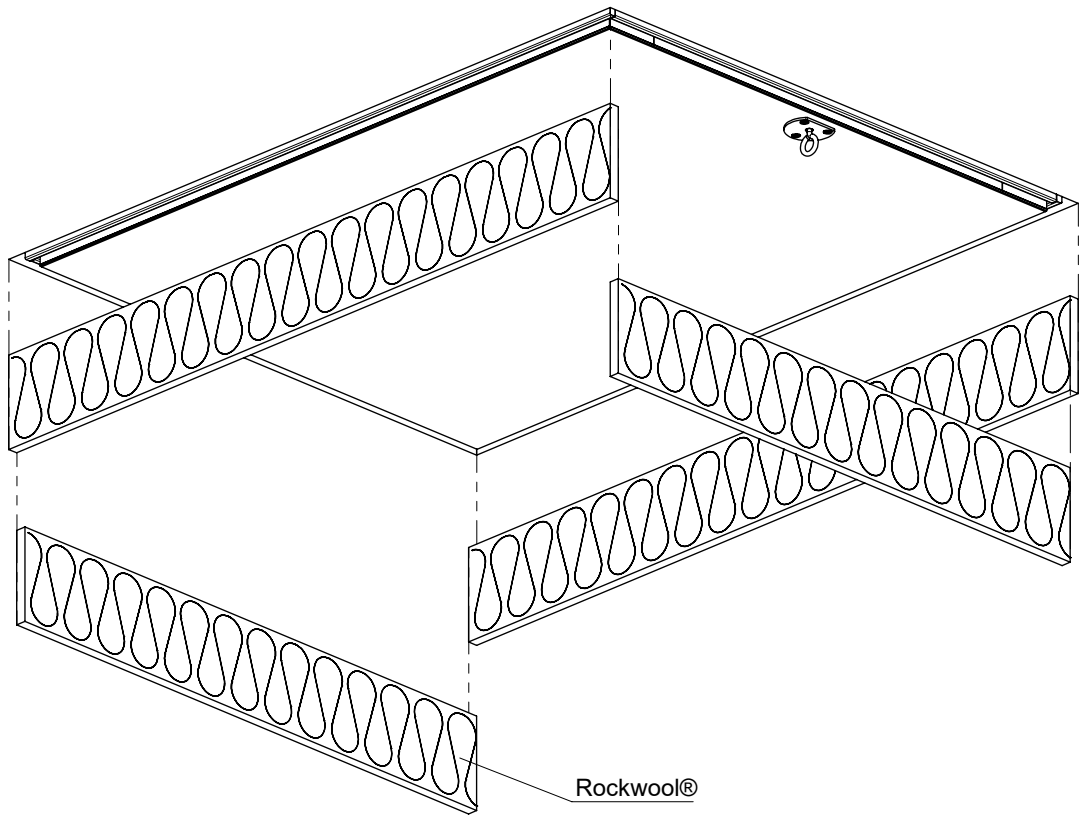


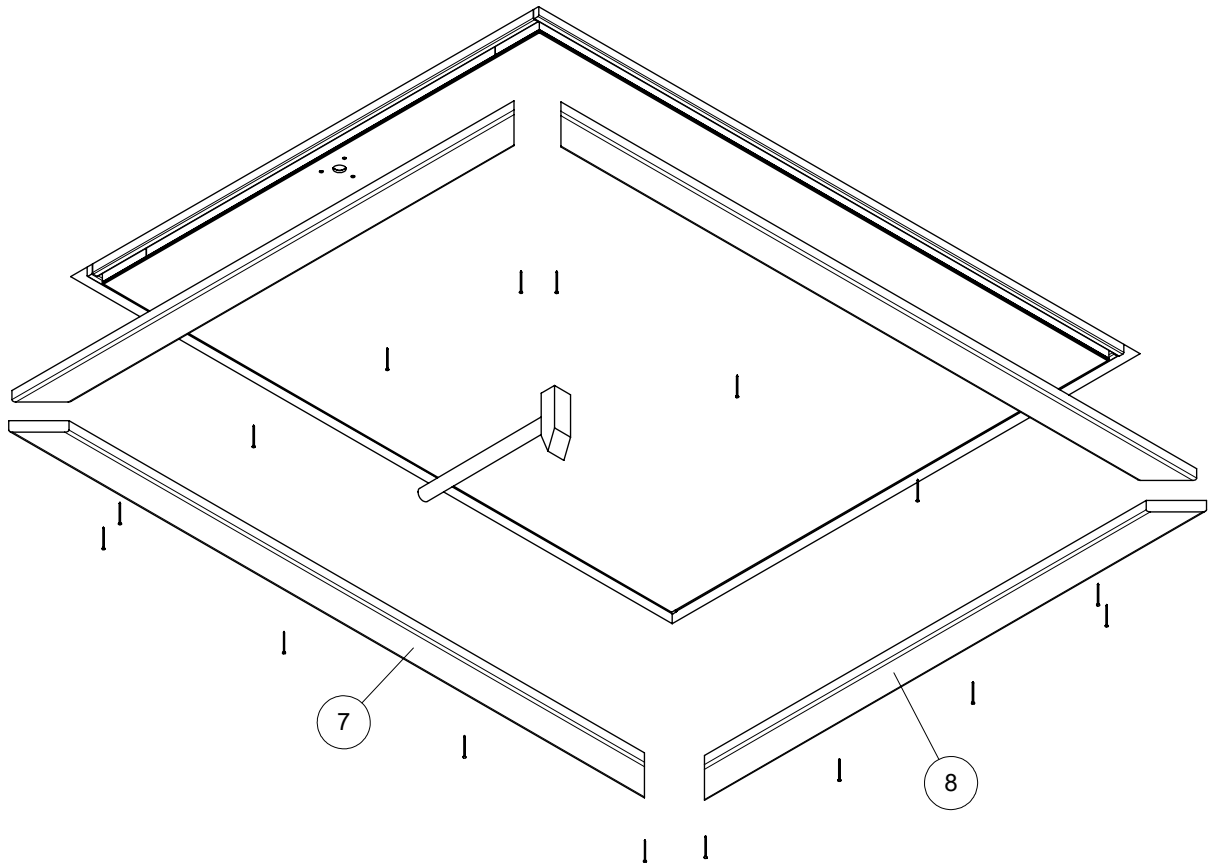




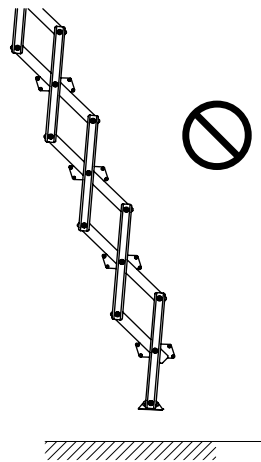
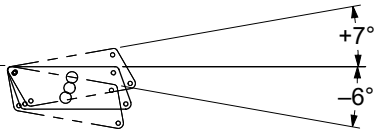
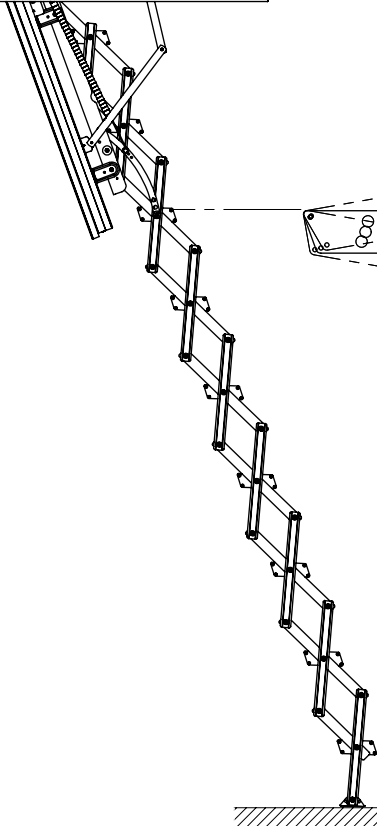
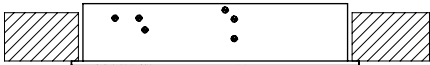
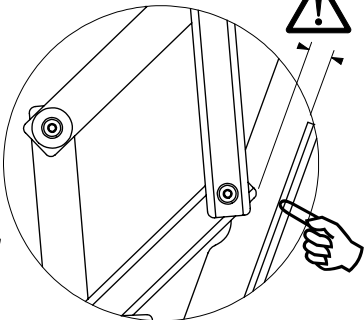
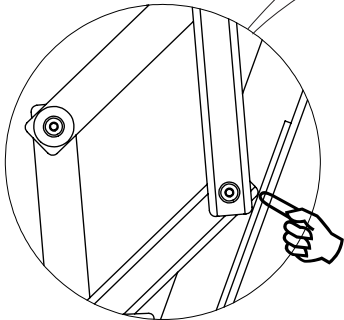
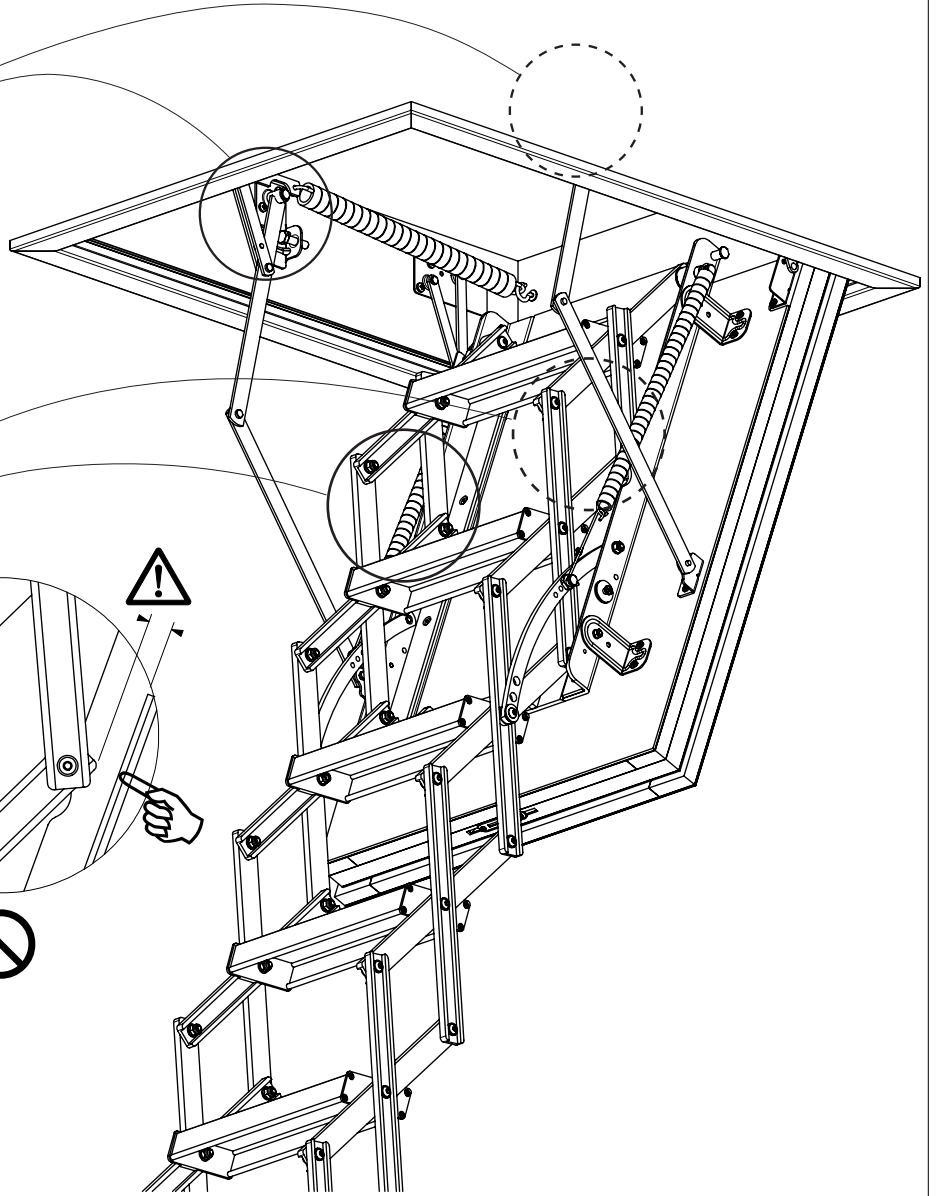
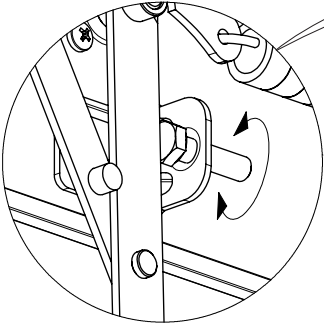
7



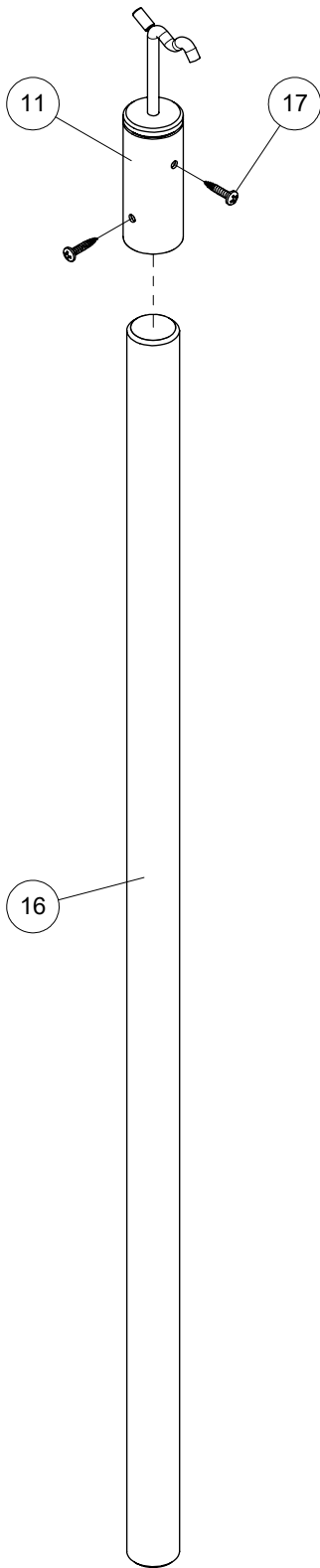




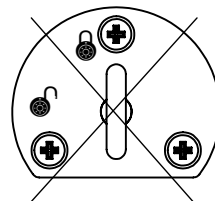
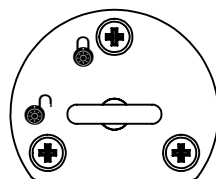
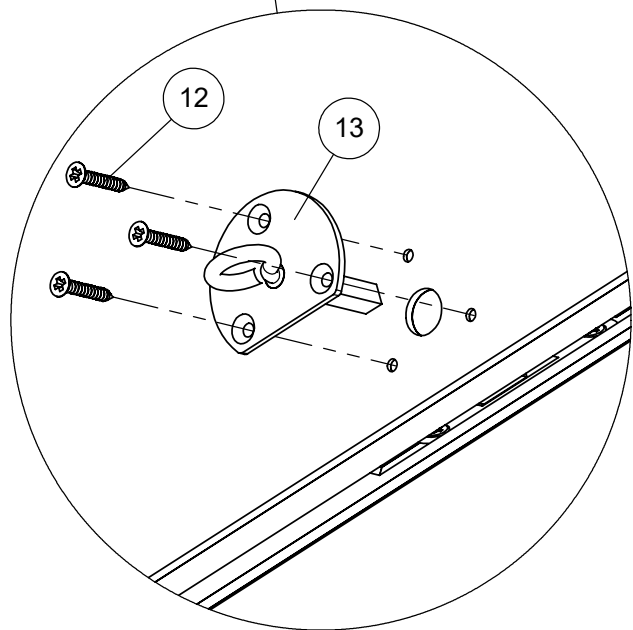
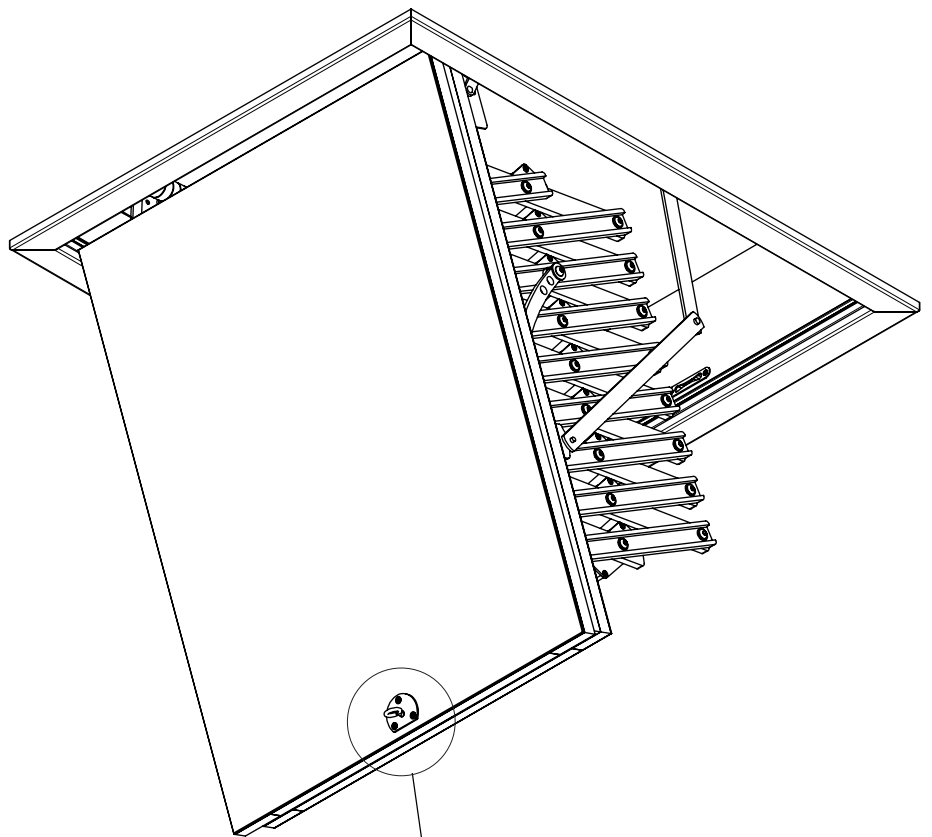
10



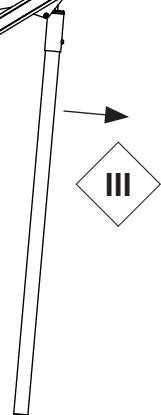
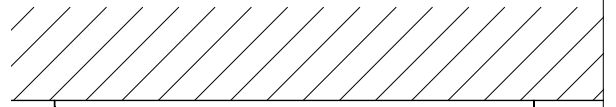
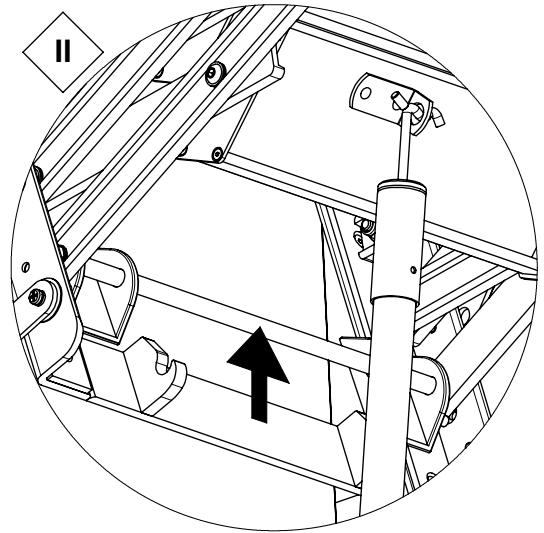
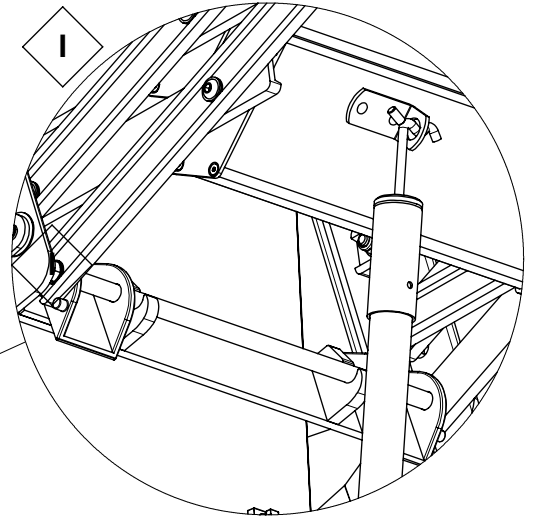
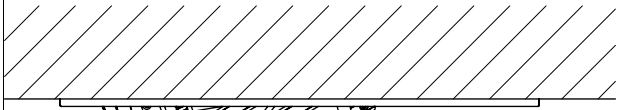
11



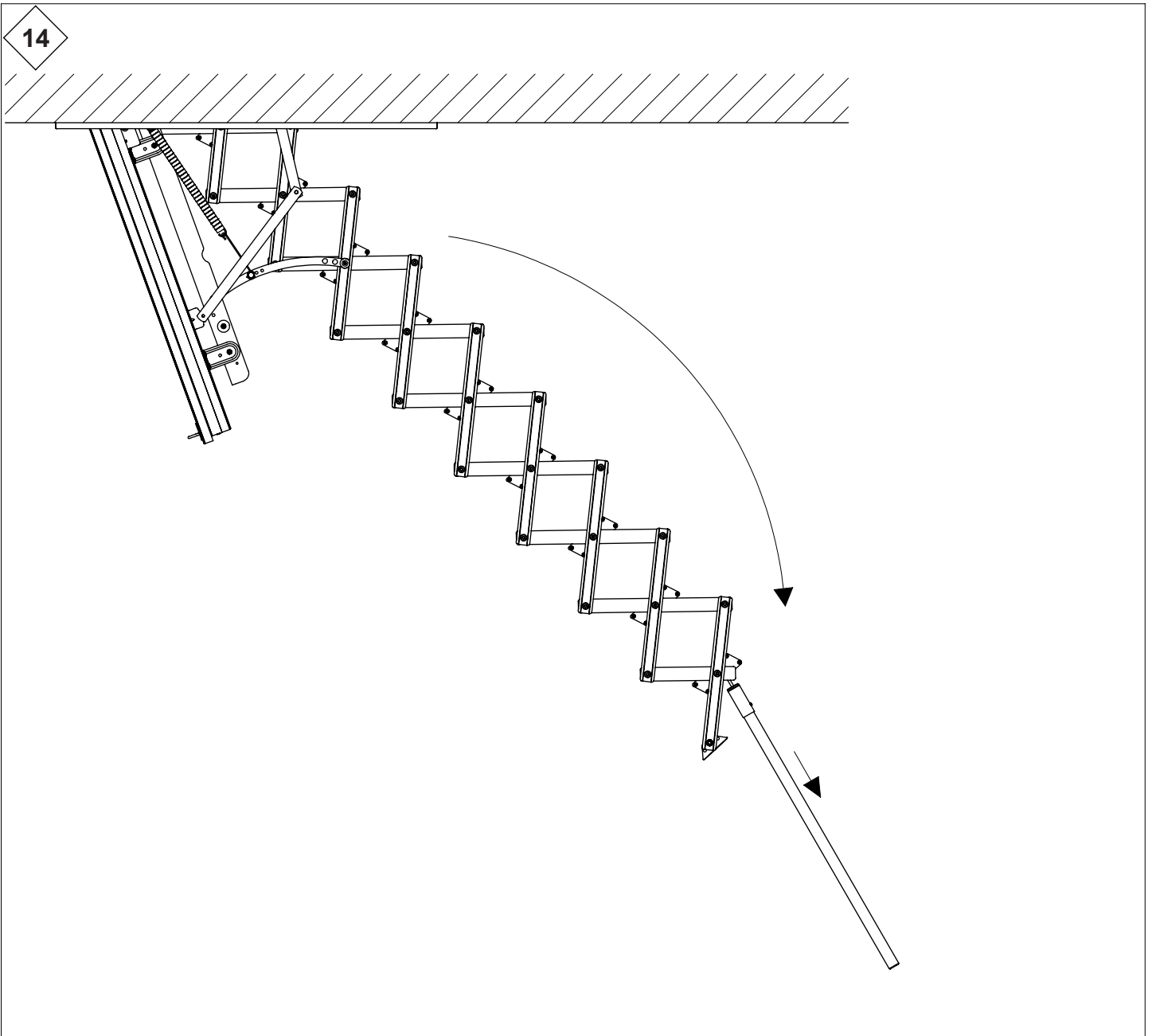
12



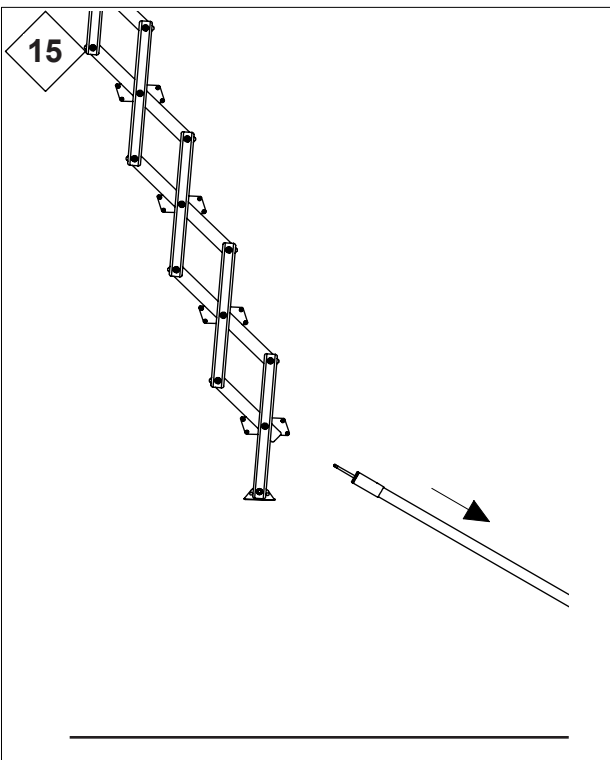
13



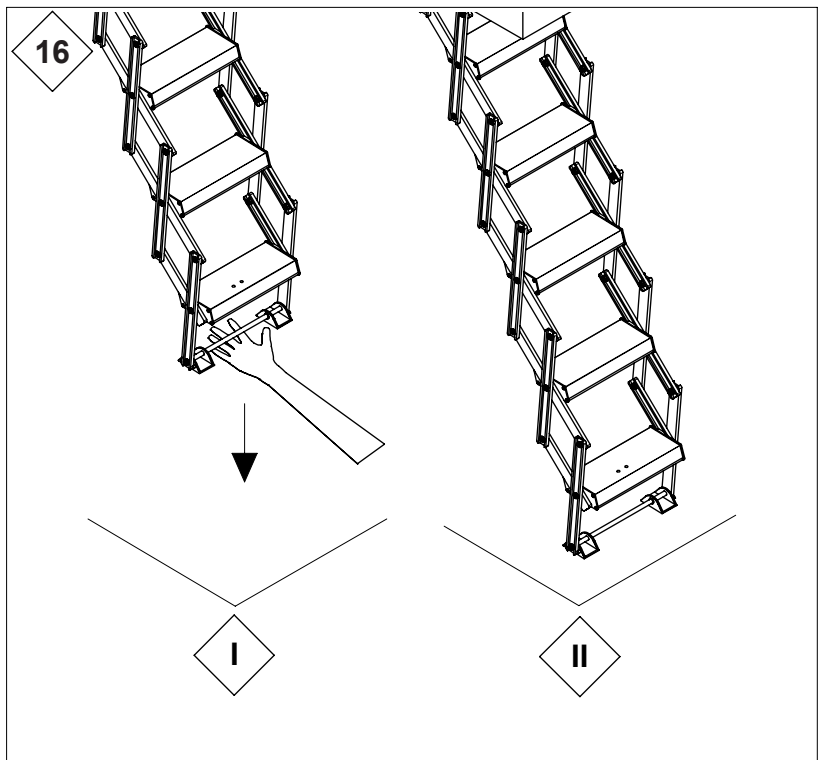
14



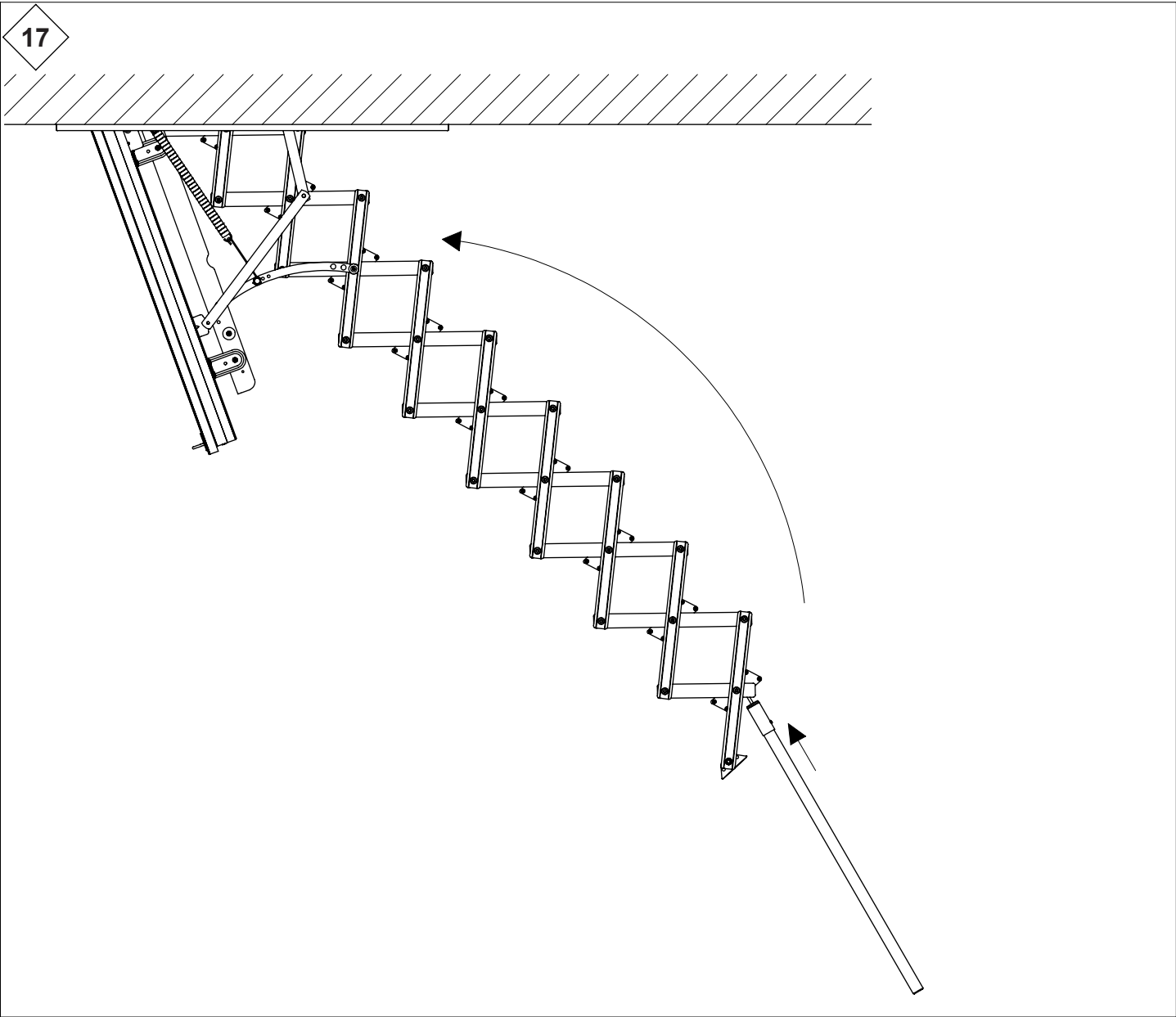
15



16



17



18

